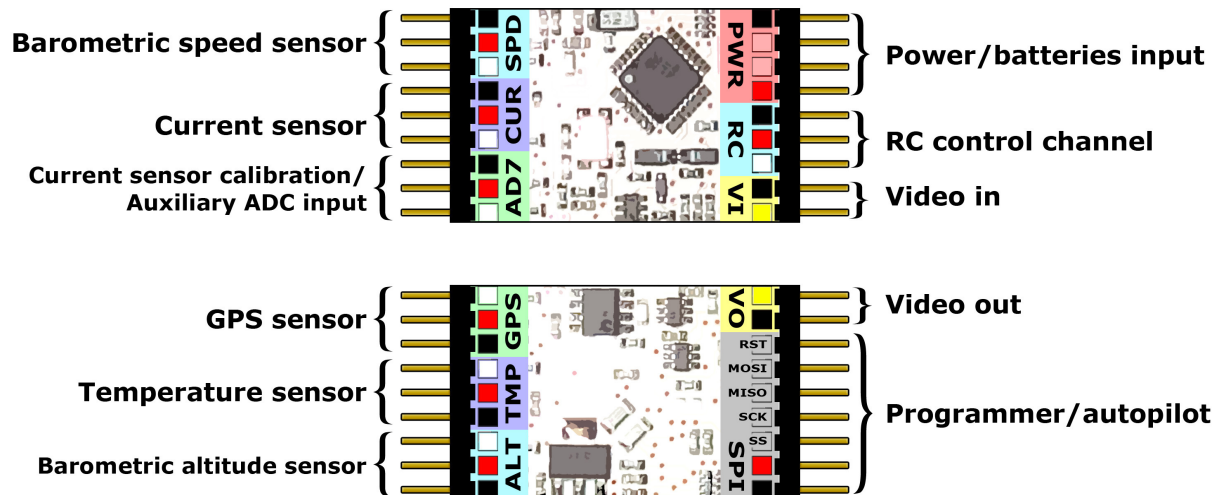


User Manual

Connecting SmallTim OSD Mini™ components



All the SmallTim OSD Mini™ sensors have 3-color cable for connection, and the color markings of sockets on the SmallTim OSD Mini™ board prevent incorrect connection of the sensors. The color markings of the sockets for all sensors are the following:

- White – signal cable;
- Red – power supply (+5V from the stabilizer at SmallTim OSD Mini™ board);
- Black – general cable (ground).

The power supply socket of SmallTim OSD Mini™, beside feeding, transfers input voltages to the board for their monitoring. SmallTim OSD Mini™ automatically defines the quantity and type of batteries connected, choosing on of the possible display options:

- Cell-jar based 3S LiPo battery:
 - Red – positive output of the third jar;
 - Pink 1 – positive output of the second jar;
 - Pink 2 – positive output of the first jar;
 - Black – the battery's negative (ground);
- Cell-jar based 2S LiPo battery:
 - Red – positive output of the second jar;
 - Pink 1 – ;
 - Pink 2 – positive output of the first jar;
 - Black – the battery's negative (ground);
- Full battery voltage:
 - Red – the battery's positive;
 - Pink 1 – ;
 - Pink 2 – ;
 - Black – the battery's negative (ground);
- Full voltage for two batteries:
 - Red – the first battery's positive;
 - Pink 1 – ;
 - Pink 2 – the second battery's positive;
 - Black – the battery's negative (ground).